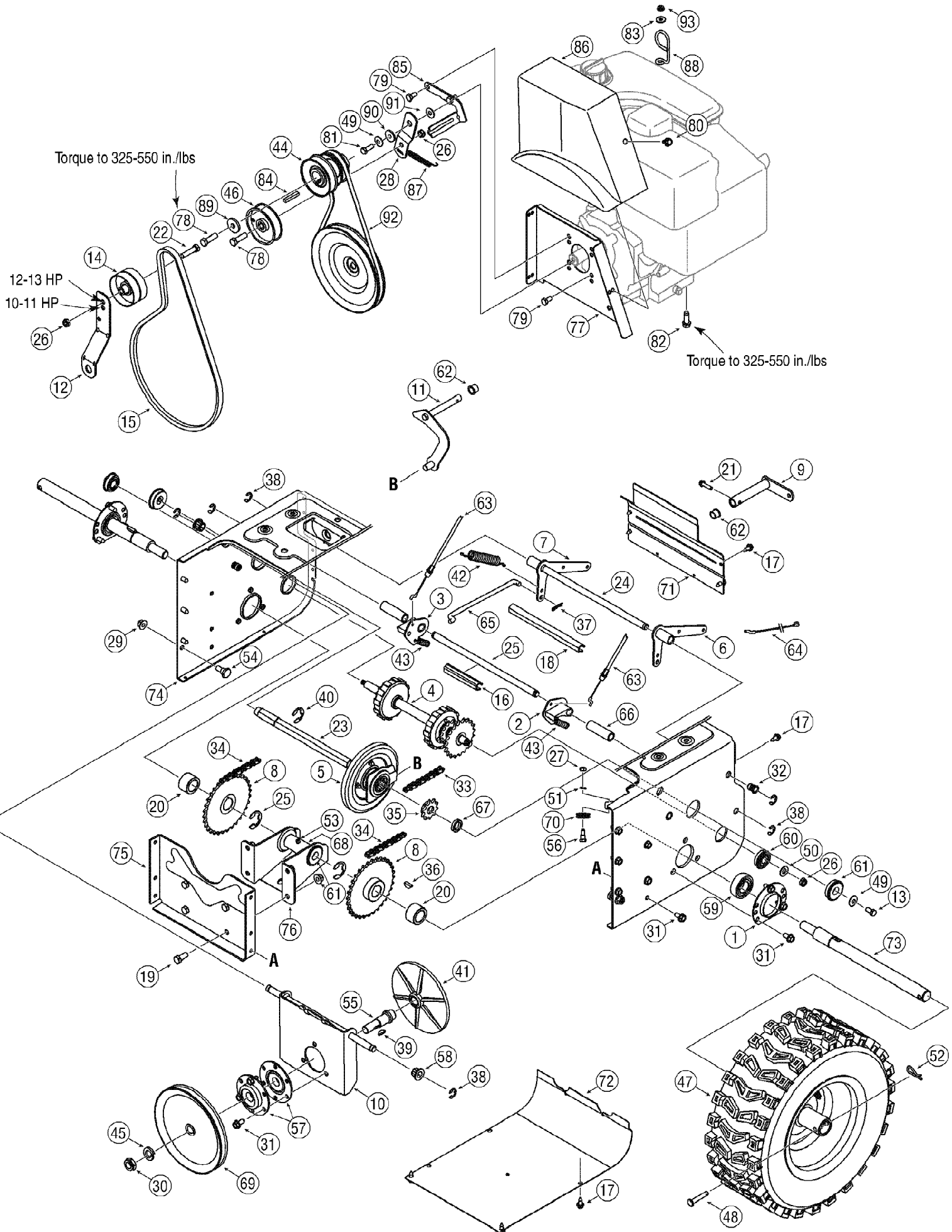


31AE9M6G590 (2007)
Drive Assembly



31AE9M6G590 (2007)
Drive Assembly

Page 2 of 14

Ref #	Part Number	Qty	S/P/F	Description
1	05244B	1	/P	Bearing Housing
2	618-0279	1	S	LH Dog Assembly
3	618-0280	1	S	RH Dog Assembly
4	618-0282E	1	S	Steering Shaft Assembly
5	618-04178	1	S	Wheel Ass'y Bearing 6.0" OD
5	718-04034	1		Friction Wheel Bonded
5	710-0896	1	/P	Hex Wash. Hd. TT Scr. 1/4-14 x .625
6	684-0118A	1	S	Actuator Auger Bracket Ass'y
7	684-0119A	1	S	Actuator Drive Bracket Ass'y
8	684-04235	1		32T Sprocket Ass'y
9	684-0161	1	S	Shift Arm Ass'y
10	684-04212	1	S	Friction Drive Support
11	684-04103	1	S	Shift Ass'y Rod
12	784-0385A	1	S	Auger Idler Bracket
13	710-0538	1	/P	Hex L-Bolt 5/16-18 x .62
14	710-0178	1		Flat Idler Pulley
15	754-0222A	1	S	V-Belt 1/2 x 44" Lg. (12-13 HP)
15	754-04131	1	S	V-Belt 1/2 x 42" Lg. (10-11 HP)
16	750-04718	1		Spacer .51 ID x 3.66" Lg.
17	710-1652	1	/P	Hex Wash Hd TT Scr. 1/4-20 x .625
18	750-04717	1		Spacer .51 ID x 7.895" Lg.
19	710-3001	1	/P	Hex Hd. C-Sunk Scr. 3/8-16 x .880 Gr. 5
20	750-04703	1		Spacer 1.0 ID x 1.5" Lg.
21	710-0788	1	/P	Hex Bolt 1/4-20 x 1.00
22	710-0459A	1	/P	Hex Scr 3/8-24 x 1.50 Gr. 5
23	711-04279	1	S	Hex Drive Shaft
24	711-04605	1		Actuator Shaft
25	716-04048	1		Retaining Ring
26	712-0116	1	S	Hex Nut 3/8-24
27	712-0138	1	S	Hex Nut 1/4-28
28	784-5726	1		Drive Idler Bracket
29	712-04065	1	/P	Flange L-Nut 3/8-16 Gr. F Nylon
30	712-0413	1	S	Hex Jam Locknut 5/8-18 Gr. 5 Nylon
31	710-04484	1		TT Screw, 5/16-18 x .75
32	712-0717	1		Nut Insert 3/8-16 UNC
33	713-0284	1		#41 Chain 1/2" pitch x 36 links- Endless
34	713-0286	1	/P	#420 Chain 1/2" pitch x 40 links-Endless
35	713-04015	1	S	10T Sprocket #41 x .500
36	714-0135	1	S	Woodruff Key
37	714-0104	1	S	Int. Cotter Pin 5/16 DIA
38	716-0104	1	S	E-ring
39	714-0388	1	S	No. 61 Hi-Pro Key 3/16 x 5/8
40	716-0136	1		Retaining Ring E-Type .875 dia.
41	717-0302	1	S	Aluminum Drive Plate
42	732-0121	1	S	Idler Extension Spring
43	732-0209	1	S	Extension Spring .47 OD x 2.03 Lg.
44	756-0241B	1	/P	Pulley, Dbl 3.25 OD
45	736-0158	1	S	Lockwasher 5/16 ID
46	756-0240	1		Flat Idler Pulley 3.0 OD
47	634-0225	1		Wheel Ass'y LH 16 x 6.5 x 8 X-Trac
47	634-0226	1		Wheel Ass'y RH 16 x 6.5 x 8 X-Trac
47	734-2031	1		Tire 16 x 6.5 x 8
47	734-1124	1		Tire 16 x 6.5 x 8

31AE9M6G590 (2007)
Drive Assembly

Page 3 of 14

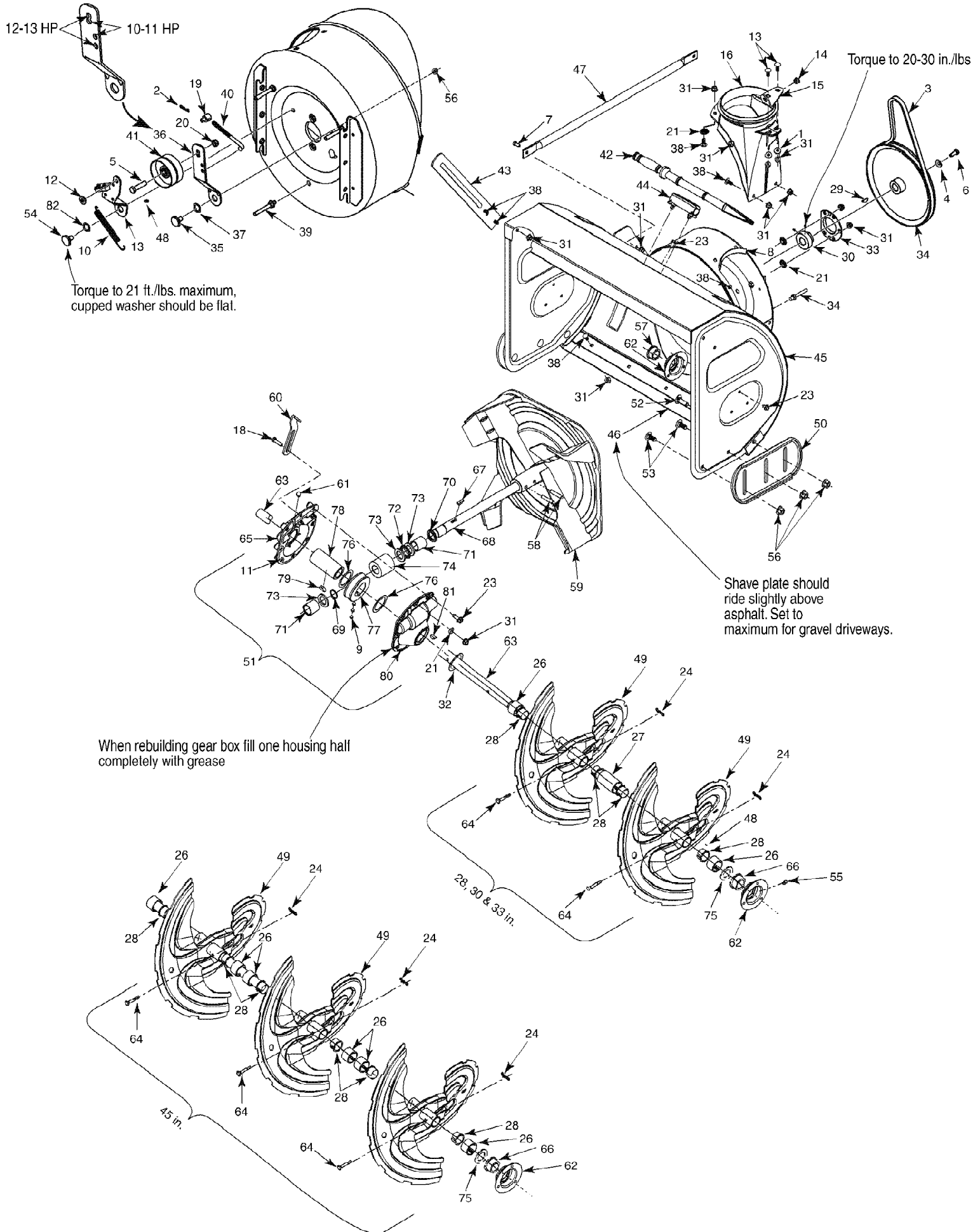
Ref #	Part Number	Qty	S/P/F	Description
47	634-04179	1		Wheel Ass'y LH 16 x 4.5 x 8 X-Trac Model 31AE9M6
47	634-04180	1		Wheel Ass'y RH 16 x 4.5 x 8 X-Trac Model 31AE9M6
47	734-2038	1	S	Tire 16 x 4.5 x 8
47	734-1532	1		Rim 16 x 4.5 x 8
48	711-04615	1		Clevis Pin
49	736-0242	1	/P	Cupped Washer .345 ID x .88 OD x .06
50	736-0300	1	S	Flat Washer .385 ID x .87 OD x .06
51	736-0329	1	S	L-Wash 1/4 ID
52	714-0149B	1	S	Int. Cotter Pin
53	737-0300	1	S	Grease
54	738-0143	1	/P	Shld. Scr. .500 Dia. x .335" Lg.
55	738-0279	1		Drive Plate Spindle
56	738-0924A	1	/P	Hex Shld.Scr.1/4-28 x .375
57	741-0163A	1	/P	Bearing Hsg. Ass'y.
58	741-04108	1		Hex Flange Bearing
59	741-04025	1	S	Self aligning brg. 1.0 ID
60	741-04076	1		Ball Bearing .5625 ID x 1.3750 x .437
61	741-0563	1	S	Ball Bearing w/snap ring
62	741-0748	1		Flange Bushing .500 ID x .627 OD
63	746-0949A	1	/P	Steering Cable
64	746-0951	1	S	Auger Idler Cable
65	747-0973	1		Drive Clutch Rod
66	750-0903B	1	/P	Split Spacer 1/2 x 5/8 x 2.69
67	750-0997	1	S	Spacer .625 ID x 1.0 OD x .23
68	750-1302B	1		Spacer .6725ID x 1.125OD x 2.485
69	756-0344	1	/P	1/2" "V" Pulley .625 ID x 7.50 OD
70	756-0625	1		Cable Guide Roller
71	790-00257	1		Upper Frame Cover
72	790-00259	1		Lower Frame Cover
73	711-04608	1	/P	Axle .995 x 12.6" Lg. (28")
73	711-04607	1		Axle.995 x 14.10" Lg (30" & 33")
73	711-04606	1		Axle .995 x 20.4" Lg. (45")
74	790-00255	1	S	Transmission Frame Ass'y (900)
75	784-0406A	1	S	Frame Support Bracket
76	784-0407	1	S	Axle Brg. Support Bracket
77	790-00254	1	S	Belt Cover Bracket
78	710-0191	1	/P	Hex Screw 3/8-24 x 1.25 Gr. 8 Special
79	710-0237	1	/P	Hex Screw 5/16-24 x .625 Gr. 5
80	710-0607	1	/P	Hex Wash HD S-Tapp Scr 5/16-18 x .50
81	710-0672	1	/P	Hex HD. Cap Scr. 5/16-24 x 1.25 Lg. Gr 5
82	710-0654A	1	/P	Hex Wash HD Tap Scr 3/8-16 x 1.00
83	736-0173	1	/P	Flat Washer .28 ID x .74 OD x .063
84	714-0118	1	/P	Square Key 1/4 x 1/4 x 1.50" Lg.
85	790-00167A	1	S	Belt Keeper Bracket
86	731-2531	1	S	Belt Cover
87	732-0303	1	S	Brake Return Ext. Spring 3.18" Lg.
88	732-0705	1		Cable Control Wire
89	736-0247	1	/P	Flat Washer .406 ID x 1.25 OD x .160
90	748-0234	1	/P	Shoulder Spacer .25 THK

31AE9M6G590 (2007)
Drive Assembly

Page 4 of 14

Ref #	Part Number	Qty	S/P/F	Description
91	736-0159	1	S	Flat Wash .349 ID x .879 OD x .063 (12-13 HP)
91	748-0418	1		Spacer .33 ID x 1.01 OD x .36 (10-11 HP)
92	754-0131	1	S	V-Belt 3/8 x 35.5" Lg. (12-13 HP)
92	754-0367	1	S	V-Belt 3/8 x 34.4" Lg. (10-11 HP)
93	712-04064	1	/P	Hex Flg. L-Nut 1/4-20 Gr. F Nylon

31AE9M6G590 (2007)
General Assembly



31AE9M6G590 (2007)
General Assembly

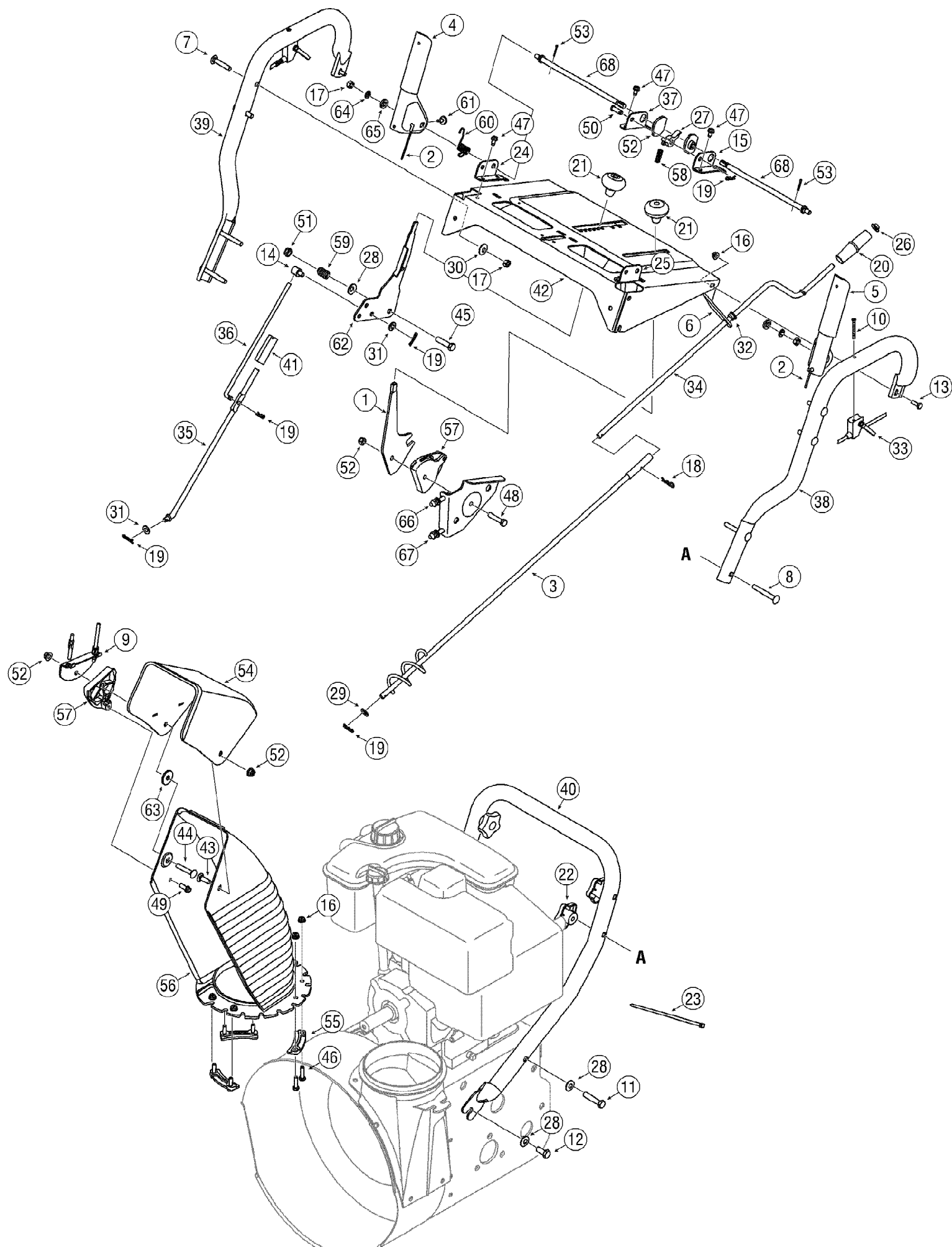
Page 6 of 14

Ref #	Part Number	Qty	S/P/F	Description
1	736-0159	1	S	Flat Washer .349 ID x .879 OD x .063
2	714-0104	1	S	Int. Cotter Pin
3	754-0222A	1	S	V-Belt 1/2 x 44" Lg.
4	736-0242	1	/P	Cupped Washer .345 ID x .88 OD x .06
5	720-0284	1	S	Handle Knob Assembly
6	710-0371	1	/P	Hex Screw 5/16-18 x .88
7	710-3008	1	/P	Hex Hd Cap Scr. 5/16-18 x .75 Gr. 5
8	784-5711	1	S	Chute Bracket
9	737-0168	1	S	Shell Alvania Grease (3 oz.)
10	732-0858	1		Extension Spring .470 Dia. x 4.75
11	721-0328	1		Ultra Grey Loctite #5699
12	736-3008	1	S	Flat Washer .344 ID x .75 OD x .120
13	618-0281A	1	S	Brake Bracket Ass'y (900 Series)
14	741-0475	1	S	Plastic Bushing .380 ID
15	784-5123	1	S	Chute Brkt.
16	731-1696A	1	S	Chute Adapter
17	736-04216	1		Cupped Washer .340 ID x .872 OD x .06
18	710-0528	1	/P	Hex Screw 5/16-18 x 1.25
19	711-0677	1	S	Adjustment Ferrule
20	731-0851A	1	/P	Chute Flange Keeper
21	726-04012	1	S	Push-on Nut .25 diam
22	712-3004A	1	/P	Flange L-Nut 5/16-18 Gr. 5 Nylon
23	710-04484	1		Hex TT Screw 3/8-16 x .75
24	714-04040	1		Bow Tie Cotter Pin
26	731-05163	1		Spacer 1.5 x 1.0 ID x 1.0" Lg.
27	731-05162	1		Spacer 1.5 x 1.0 ID x 2.5" Lg.
28	741-0494	1		Flange Bushing 1.05 ID x 1.16 OD
29	714-0126	1	S	#9 HI-Pro Key 3/16 x 3/4 Dia HT
30	741-04024	1	S	Self-Aligning Bearing .875 ID
31	712-04063	1	/P	Hex Flg. L-Nut 5/16-18 Gr. F Nylon
32	736-03046A	1		Flat Washer 1.010 x 1.88 x .060
33	05244B	1	/P	Bearing Housing
34	756-0243	1		1/2" V-Pulley .875 ID x 10.12 OD
35	738-0281	1	S	Shoulder Scr .625 Dia x .170
36	784-0385B	1	S	Auger Idler Bracket
37	736-0174	1	/P	Wave Washer .625 ID x .885 OD x .015
38	710-0451	1	/P	Carriage Bolt 5/16-18 x .75
39	710-04606	1	S	Screw 5/16-18 x .43
40	747-0980A	1		Auger Idler Rod
41	756-0178	1		Flat Idler Pulley
42	731-2643	1	S	Cleanout Tool
43	790-00181	1		Drift Cutter
44	731-2635	1		Cleanout Tool Mount
45	684-04218	1		Snowthrower Housing Ass'y 28 inches
45	684-04220	1		Snowthrower Housing Ass'y 33 inches
45	684-04224	1		Snowthrower Housing Ass'y 45 inches
46	784-5716B	1		Shave Plate 28 inches
46	784-5714B	1		Shave Plate 33 inches
46	790-00280	1		Shave Plate 45 inches
47	749-1117	1		Support Tubing (33" & 45" Only)
48	737-0318	1	S	Arctic Grease
49	684-04151	1		Augers LH 28, 33 & 45 inches
49	684-04152	1		Augers RH 28, 33 & 45 inches

31AE9M6G590 (2007)
General Assembly

Page 7 of 14

Ref #	Part Number	Qty	S/P/F	Description
50	784-5697	1		Reversible Slide Shoe
51	618-0257	1		Worm Gear Box Ass'y
51	618-0436	1		Worm Gear Box Ass'y (w/grease fitting)
52	710-3168	1	/P	Carriage Bolt 3/8-16 x 1.00 Gr. 5
53	710-0389	1	/P	Carriage Bolt 3/8-16 x .75" Lg.
54	738-0281	1	S	Shoulder Scr .625 Dia x .170
55	737-3000	1	S	Grease Fitting (optional)
56	712-04065	1	/P	Hex Flange L-Nut 3/8-16 Gr. F Nylon
57	741-0192	1		Flange bearing w/flats
58	715-0118	1	S	Spring Spirol Pin Heavy - 5/16 dia x 1.7
59	684-0090B	1	S	Blower Fan Ass'y Complete
60	784-5076	1	S	Gear Housing Support Bracket
61	721-0325	1		Barbed Plug
62	05845C	1		Bearing Housing
62	784-0315A	1		Bearing Housing
63	738-04156	1		Spiral Axle 28 inches
63	784-5714B	1		Spiral Axle 33 inches
63	790-00280	1		Spiral Axle 45 inches
64	738-04155	1		Shear Pin 5/16-18 x 1.75
65	618-0246	1	S	Gear Housing Half - RH
66	741-0192	1		Flange Bearing
67	714-0126	1	S	#9 HI-Pro Key 3/16 x 3/4 Dia HT
68	711-1133	1		Auger Drive Shaft
69	716-0111	1	/P	Snap Ring for .875 dia. shaft
70	721-0145	1	S	Oil seal for .875 ID Garlock (76 x 6133)
71	741-0217	1	S	Sleeve Bearing .875 ID
72	741-0184	1		Thrust Bearing .88 ID x 1.44 OD x .078
73	736-0291	1	S	Flat Washer .88 ID x 1.4 OD x .125
74	717-0299	1	S	Worm Gear LH Double Thread
75	750-04020	1		Spacer
76	736-0266	1	S	Flat Washer 1.5 ID x 2.0 OD x .03
77	717-1425	1	S	Worm Gear LH Double Thread (Bronze)
78	738-0275	1		Worm Gear Shaft
79	714-0135	1	S	#91 Woodruff Key 1/4 x 3/4 Dia.
80	618-0247	1	S	Gear Housing Half LH
81	714-0135	1	S	#91 Woodruff Key 1/4 x 3/4 Dia.



31AE9M6G590 (2007)
Handle Assembly

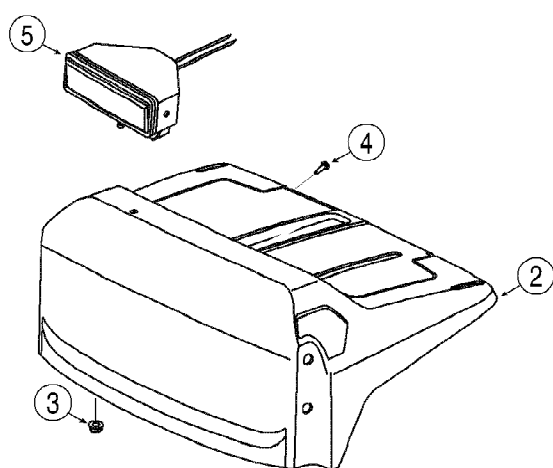
Page 9 of 14

Ref #	Part Number	Qty	S/P/F	Description
1	784-5604A	1	S	Chute Tilt Handle
2	646-0012	1		Cable Ass'y (Auger/Drive)
3	684-0053B	1	S	Lower Chute Crank Assembly
4	705-5218	1		Engage Handle RH Black
5	705-5219	1		EngagementHandle LHBlack
6	705-5266	1	S	Upper Chute Crank Support
7	710-0458	1	/P	Carriage Bolt 5/16-18 x 1.75" Lg.
8	710-0572	1	/P	Carriage Bolt 5/16-18 X 2.50
9	784-5594	1		Cable Bracket Chute Tilt
10	710-1625	1		Screw, #10-24 x 1.75
11	710-1878	1	S	Hex Screw 3/8-16 x 1.75
12	710-1879	1		Hex Screw 3/8-16 x .88
13	710-3015	1	/P	Hex Cap Bolt 1/4-20 x .75" Lg.
14	711-0677	1	S	AdjustmentFerrule
15	784-5679	1	S	LH Handle Support Brkt. 5/8"
16	712-04064	1	/P	Hex L-Flanged Nut 1/4-20 Gr. F Nylon
17	712-3010	1	S	Hex Nut 5/16-18 hd. (Gr. 5)
18	714-0101	1	S	Internal Cotter Pin
19	714-0104	1	S	Int. Cotter Pin .072 x 1.13" Lg.
20	720-0201A	1	/P	Knob 1.0 x 3.2
21	720-04039	1		Shift Knob
22	720-04072	1	S	Star Knob
23	725-0157	1	/P	Cable Tie
24	784-5682	1	S	RH Handle Support Brkt. 3/8"
25	784-5681	1	/P	LH Handle Support Brkt. 3/8"
26	726-0100	1	S	Push Nut 3/8" Rod
27	748-0363	1	S	Cam Lock Pawl
28	736-0105	1	/P	Cupped Washer .375 ID x .870 OD x .063
29	736-0185	1	S	Flat Washer .406" I.D. x .75" O.D.
30	736-0242	1	/P	Cupped Washer .345 ID x .88 OD x .060
31	736-0275	1	S	Flat Washer .34 ID x .688 OD x .065
32	741-0475	1	S	Plastic Bushing .380 ID
33	746-0950A	1	/P	SteeringTrigger
34	747-0624	1	S	Upper Chute Crank Assembly
35	747-0983A	1	/P	Lower Shift Rod
36	747-0997	1		Upper Shift Rod
37	784-5680	1	S	RH Handle Support Brkt. 5/8"
38	749-0989A	1		Upper Handle LH
39	749-0990A	1		Upper Handle RH
40	749-0991	1		Lower Handle
41	750-0963	1	S	Connector - Shift Rod
42	684-0102A	1		Handle Panel Support Ass'y
43	710-0276	1	/P	Carriage Bolt 5/16-18 x 1.00" Lg
44	710-0458	1	/P	Carriage Bolt 5/16-18 x 1.75" Lg.
45	710-0459A	1	/P	Hex Scr 3/8-24 x 1.50
46	710-0597	1	/P	Hex Screw 1/4-20 x 1.00
47	710-0599	1	/P	Hex Wash S-Tapp Scr 1/4-20 x .50
48	710-0805	1	/P	Hex Bolt 5/16-18 x 1,50" Lg. Gr. 5
49	710-0895	1		Hex Tapp Scr 1/4 x .75" Lg.
50	711-0653	1	/P	Clevis Pin .31 Dia. x 1.0" Lg.
51	712-0116	1	S	Hex Nut 3/8-24
52	748-0362	1		Cam Handle Lock
53	714-0507	1	S	Hex Screw 3/8-16 x .75

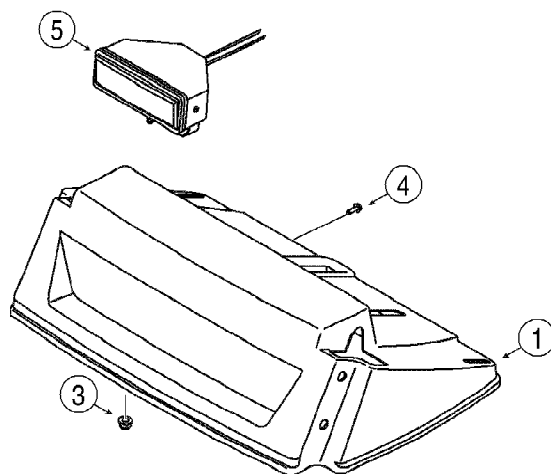
31AE9M6G590 (2007)
Handle Assembly

Page 10 of 14

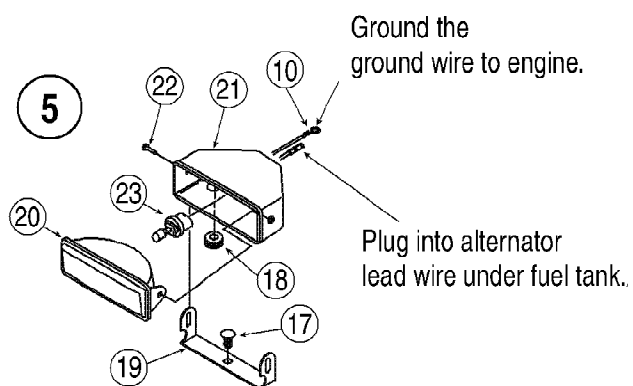
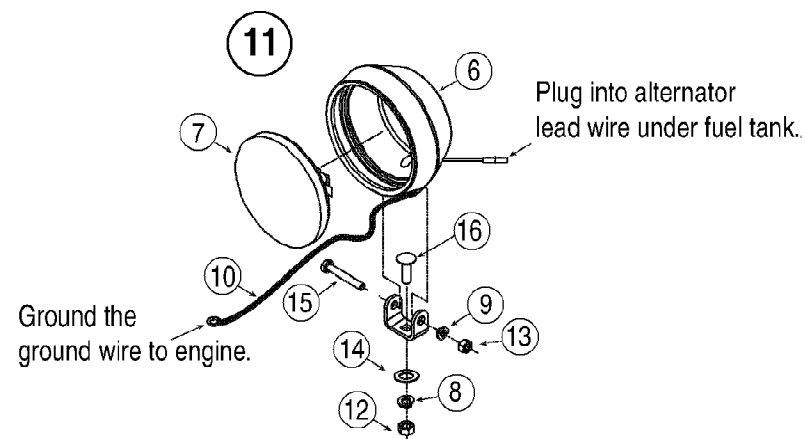
Ref #	Part Number	Qty	S/P/F	Description
54	731-0846C	1	/P	Upper Chute
55	731-0851A	1	/P	Chute Flange Keeper
56	731-0903D	1	S	Lower Chute
57	731-1313C	1	/P	Cable Guide
58	732-0145	1	/P	Compression Spring .62 OD x 6.12" Lg.
59	732-0193	1	/P	Compression Spring .38 ID x .88 Lg
60	732-0746	1		Torsion Spring
61	735-0199A	1	S	Rubber Bumper
62	784-5619B	1	S	Shift Lever
63	736-0231	1	S	Flat Washer .344 ID X 1.125 OD X .125
64	736-0119	1	S	L-Wash 5/16 ID
65	736-0509	1		Washer (special)
66	746-0902	1	S	Chute Control Cable 66"
67	746-0903	1	S	Chute Control Cable w/clip
68	747-0877	1		Cam Rod



STYLE #6



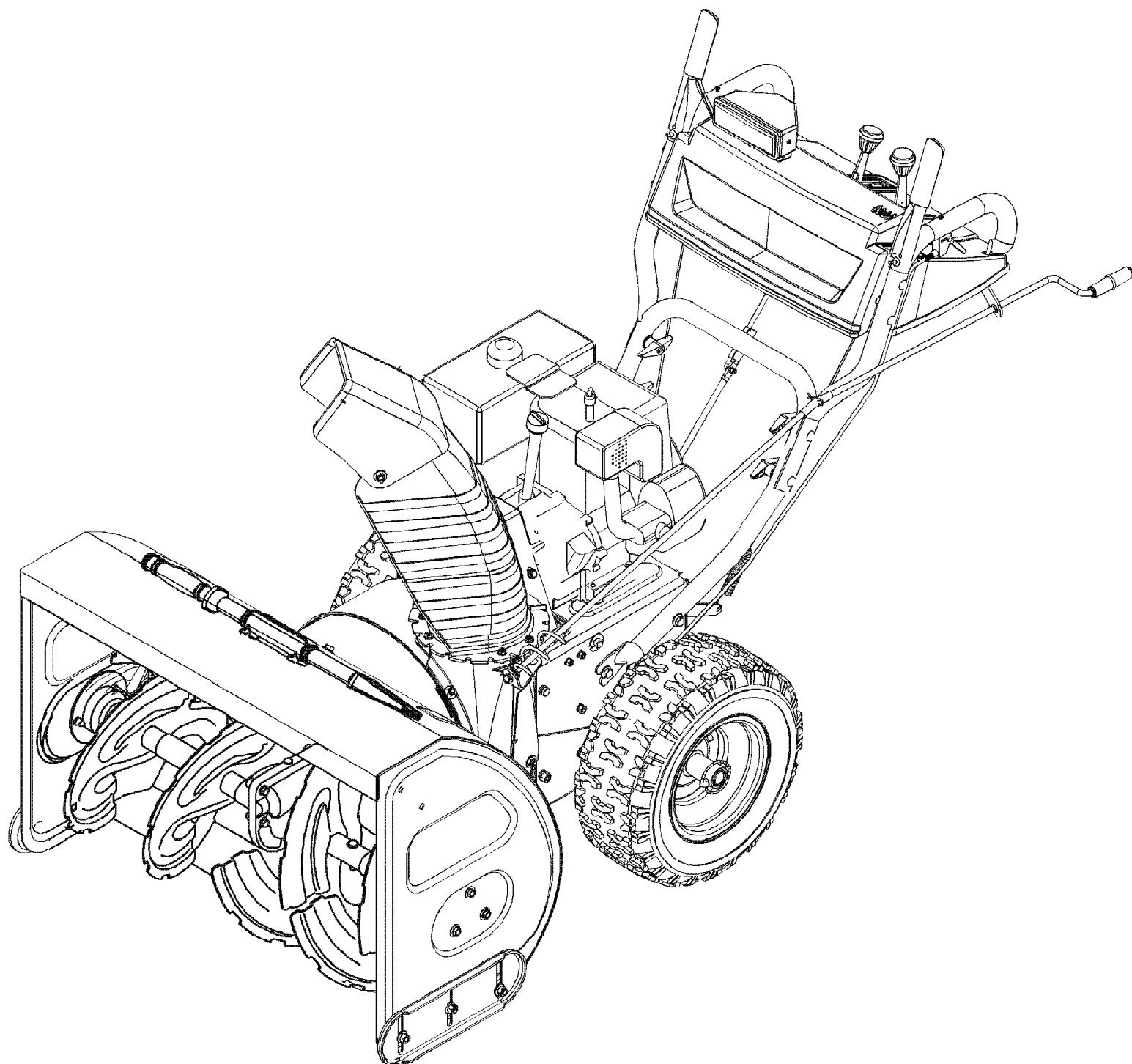
STYLE #3



31AE9M6G590 (2007)
Handle Panel Assembly

Page 12 of 14

Ref #	Part Number	Qty	S/P/F	Description
1	731-0061	1		Black Handle Panel w/hole for top mounting light and chute tilt cut out.STYLE #3
	731-1873A	1		Yellow Handle Panel w/hole for top mounting light and chute tilt cut out.STYLE #3
	731-2608	1		Grey Handle Panel w/hole for top mounting light and chute tilt cut out.STYLE #3
2	731-2298	1		Black Handle Panel w/hole for top mounting light and chute tilt cut out.STYLE #6
3	712-04063	1	/P	Hex Flange Locknut 5/16-18 Gr. F Nylon
4	710-1003	1	/P	Hex Tapp Wash Hd. Scr. #10 x 5/8
5	625-0007A	1	S	Top Mounting Halogen Lamp Assembly
6	725-0586	1		Lamp Housing
7	725-1300	1	S	Sealed Beam 18 Watt CGE #4414-1
8	736-0119	1	S	L-Wash 5/16 ID
9	736-0329	1	S	L-Wash 1/4 ID
10		1		Ground Wire purchase locally
11	725-1301A	1		Top Mount 18 watt Lamp Ass'y (sealed beam)
12	712-3010	1	S	Hex Nut 5/16-18 hd. Gr. 5
13	712-0138	1	S	Hex Nut 1/4-28 Gr 5
14	736-0159	1	S	Flat Wash .349 ID x .879 OD x .063
15	710-0559	1		Hex Screw 1/4-28 x 1.75 Gr 5
16	710-0276	1	/P	Carriage Bolt 5/16-18 x 1.00" Lg
17	710-0451	1	/P	Carriage Bolt 5/16-18 x .75
18	735-0225	1		Grommet .38 ID X .50 OD X .12
19	705-5217	1		Lamp Mounting Brkt.
20	725-1669	1	S	Lamp/Lens Housing Ass'y
21	731-1364	1		Halogen Lamp Housing
22	710-1240	1		Phillips Pan Hd. Scr. M4 x 16mm
23	725-1658	1	S	Bulb #890, 12 V, 27 Watt



31AE9M6G590 (2007)
Quick Reference

Page 14 of 14

Ref #	Part Number	Qty	S/P/F	Description
	759-3338	1	/P	Spark Plug
	N/A	1		Key
	N/A	1		Extension Cord
	731-2643	1	S	Snow Removal Tool
	738-04156	1		Shave Plate
	784-5697	1		Slide Shoe, Plastic
	738-04155	1		Shear Pin
	714-04040	1		Bow Tie Cotter Pin
	725-1658	1	S	Lamp
	754-04131	1	S	Auger Drive Belt
	754-0367	1	S	Wheel Drive Belt
	N/A	1		Spiral Crescent
	N/A	1		Rubber Paddle
	618-04178	1	S	Friction Wheel Assembly
	N/A	1		Friction Wheel Rubber
	634-04179A	1		Wheel - LH
	634-04180A	1		Wheel - RH